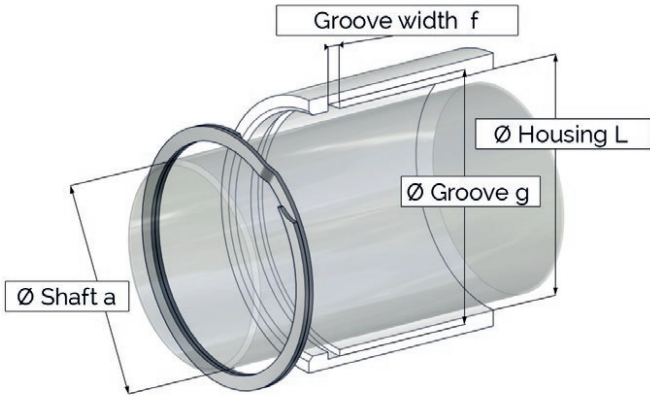




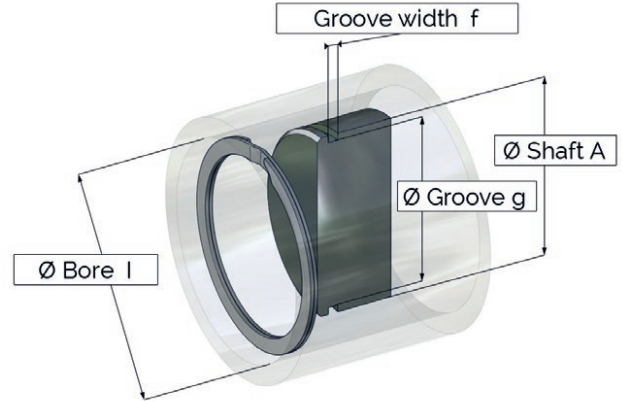
### SPACE REQUIRED

#### Internal retaining ring for bore



Housing diameter L\* : .....mm  
 Groove diameter g\* : .....mm  
 Groove width f\* : .....mm  
 Shaft diameter a : .....mm

#### External retaining ring for shaft



Shaft diameter A : .....mm  
 Groove diameter g\* : .....mm  
 Groove width f\* : .....mm  
 Bore diameter I : .....mm

### THRUST CAPACITY

Required thrust capacity : .....N  
 RPM : .....r/Min

### ENVIRONMENT

#### Operating temperature :

Mini\* : .....°C      Maxi\* : .....°C

- Retaining ring operates in oil
- Retaining ring must be stainless
- Retaining ring should not be magnetic
- Retaining ring must be conductive

Surrounding chemical substances : .....  
 .....  
 .....  
 Required raw material : .....  
 .....  
 .....

### QUANTITIES

Prototypes : .....      Serie\* : .....  
 Pre serie : .....      Annual : .....

### APPLICATION DESCRIPTION

.....  
 .....  
 .....

### IDENTIFICATION

Last Name\* : ..... First Name\* : .....  
 Company\* : ..... Function : .....  
 Full adress : .....  
 .....  
 Email\* : ..... Phone : .....

\*Required field